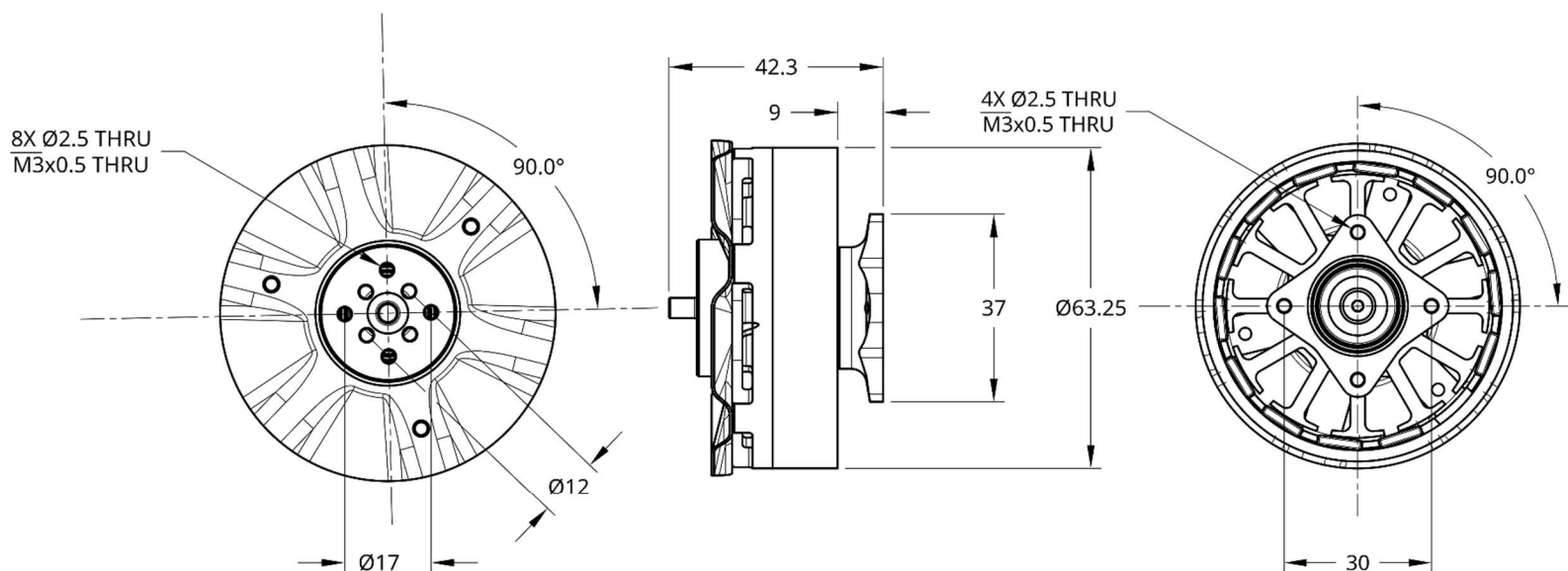


Impulse 155412-42

1500W Brushless



Motor Data

Values at nominal voltage

| | | |
|-----------------------------------|-----|-------|
| Nominal Voltage | V | 24 |
| No Load Speed | RPM | 12600 |
| Nominal Speed | RPM | 8500 |
| Nominal Torque (max. continuous) | Nm | 1.23 |
| Nominal Current (max. continuous) | A | 54 |

Characteristics

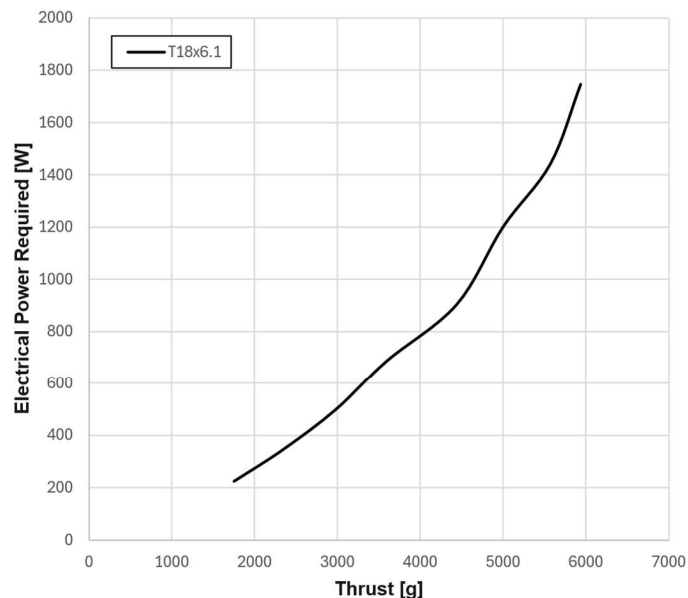
| | | |
|------------------------------------|-------|-------|
| Terminal Resistance phase to phase | Ω | 0.058 |
| Torque Constant | Nm/A | 0.027 |
| Speed Constant | RPM/V | 420 |

Thermal Data

| | | |
|-------------------------------------|---|-----------|
| Ambient Temperature | C | 20...+100 |
| Max. continuous winding temperature | C | +160 |
| Absolute max. winding temperature | C | +180 |

Other Specifications

| | | |
|----------------------|---|-----|
| Number of pole pairs | | 7 |
| Number of phases | | 3 |
| Weight of motor | g | 273 |



| Voltage | Propeller | Throttle [%] | Current [A] | Power [W] | Thrust [g] | RPM | Efficiency*[G/W] | Torque [Nm] |
|---------|-----------|--------------|-------------|-----------|------------|------|------------------|-------------|
| 22.2 | T18x6.1 | 30 | 9.85 | 224 | 1751 | 3941 | 7.8 | 0.37 |
| | | 35 | 15.10 | 345 | 2338 | 4553 | 6.79 | 0.51 |
| | | 40 | 22.01 | 498 | 2978 | 5138 | 5.98 | 0.67 |
| | | 45 | 30.53 | 686 | 3591 | 5659 | 5.24 | 0.83 |
| | | 50 | 40.61 | 903 | 4440 | 6195 | 4.91 | 1.08 |
| | | 55 | 54.44 | 1201 | 5002 | 6699 | 4.16 | 1.24 |
| | | 60 | 66.85 | 1443 | 5574 | 7052 | 3.86 | 1.39 |
| | | 65 | 82.67 | 1747 | 5938 | 7315 | 3.40 | 1.50 |

*Includes ESC efficiency